

# Allegheny

## RS96-11S

This guide displays the various mechanical components and motors.

Electrical Color Guide show proper connections to the specific outlet.

*Failure to plug components to the proper outlet will result in product failure.*



Components Guide

# Allegheny

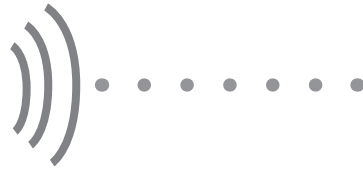
RS96-11S

Rear



Coal-Trol Remote

Control Panel

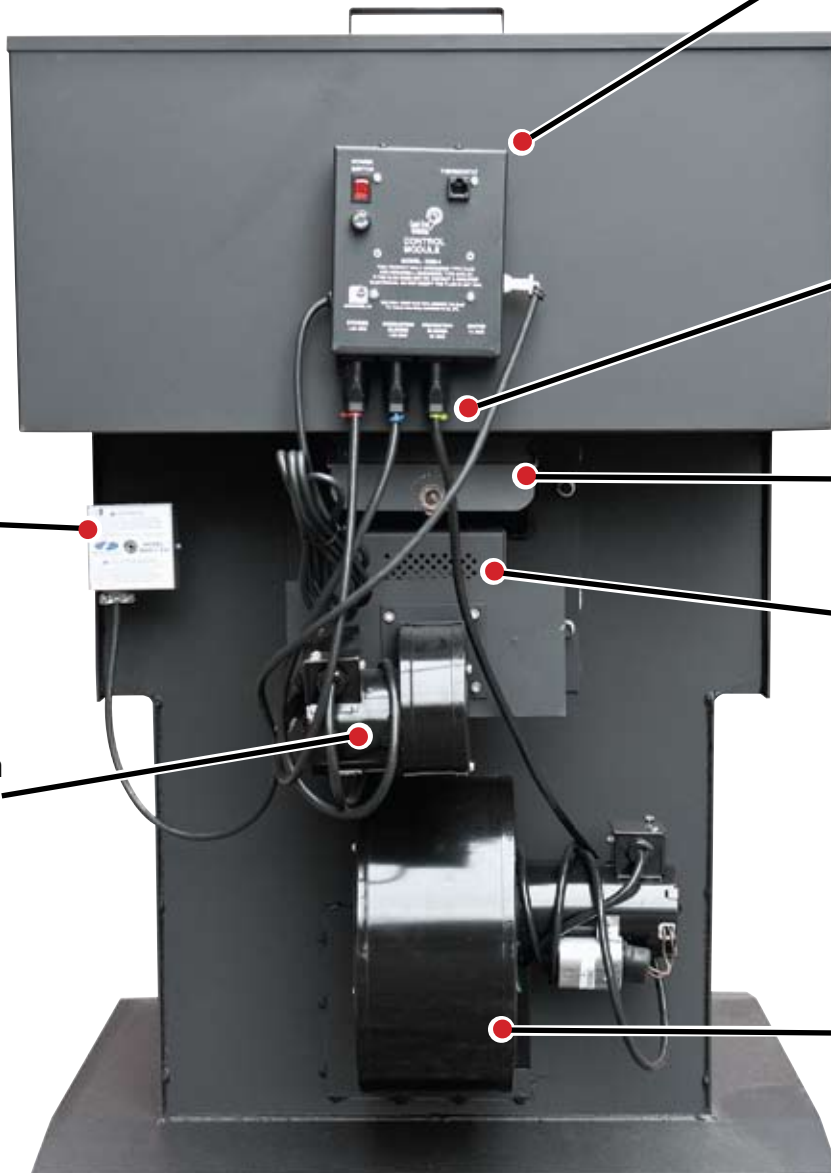


(Red)

(Blue)

(Yellow)

Follow the Color Coded Bands on the Power Cord and Fan Set into the proper outlets on the Control Module.



**NOTE:** The Color Coded Bands are attached to the Power Cords

Safety Switch  
Optional Power on  
Direct Vent Only

Stoker Push  
Plate

AC  
Power Pack/  
Stoker

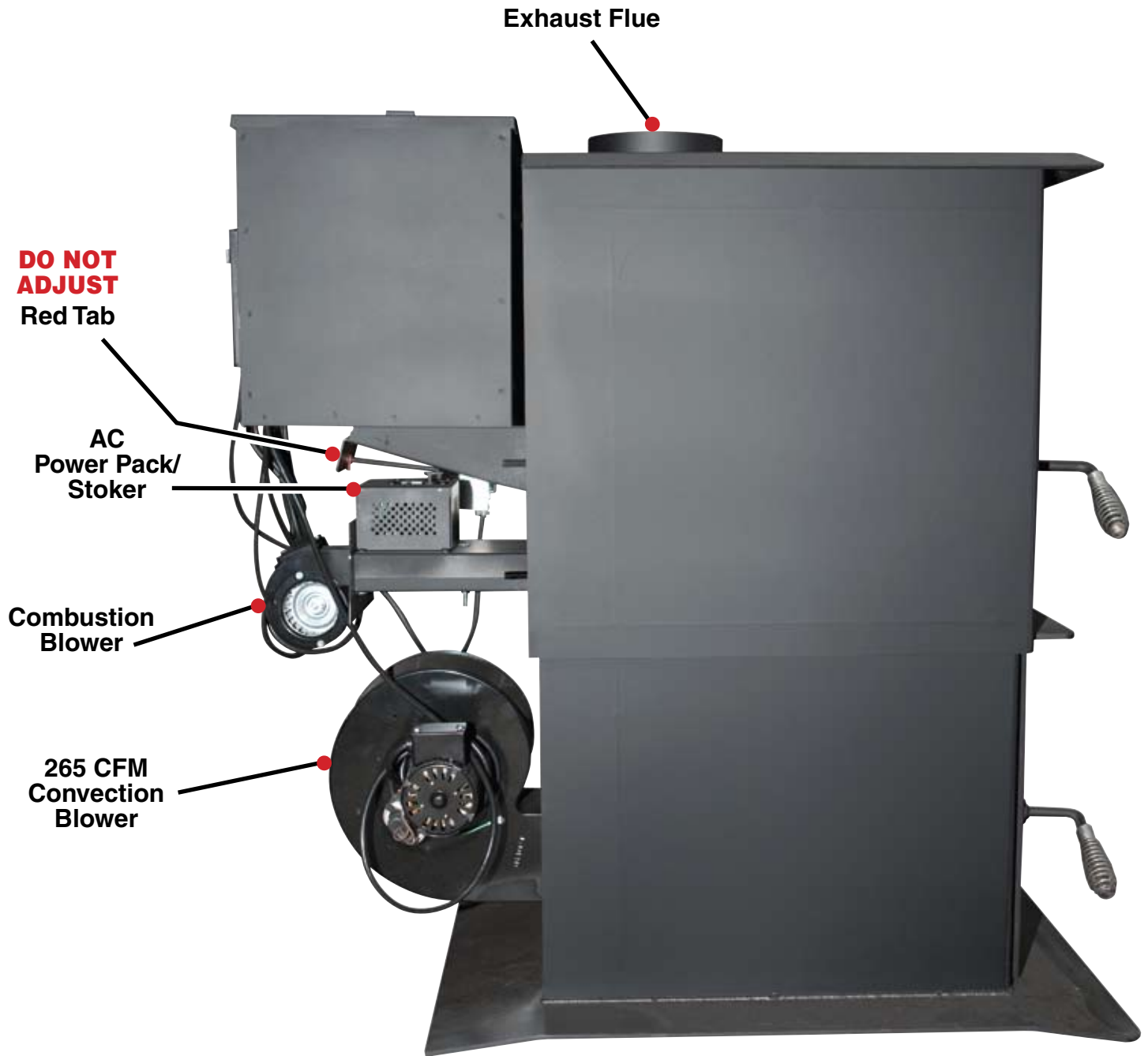
Combustion  
Blower

Convection  
Blower

# Allegheny

**RS96-11S**

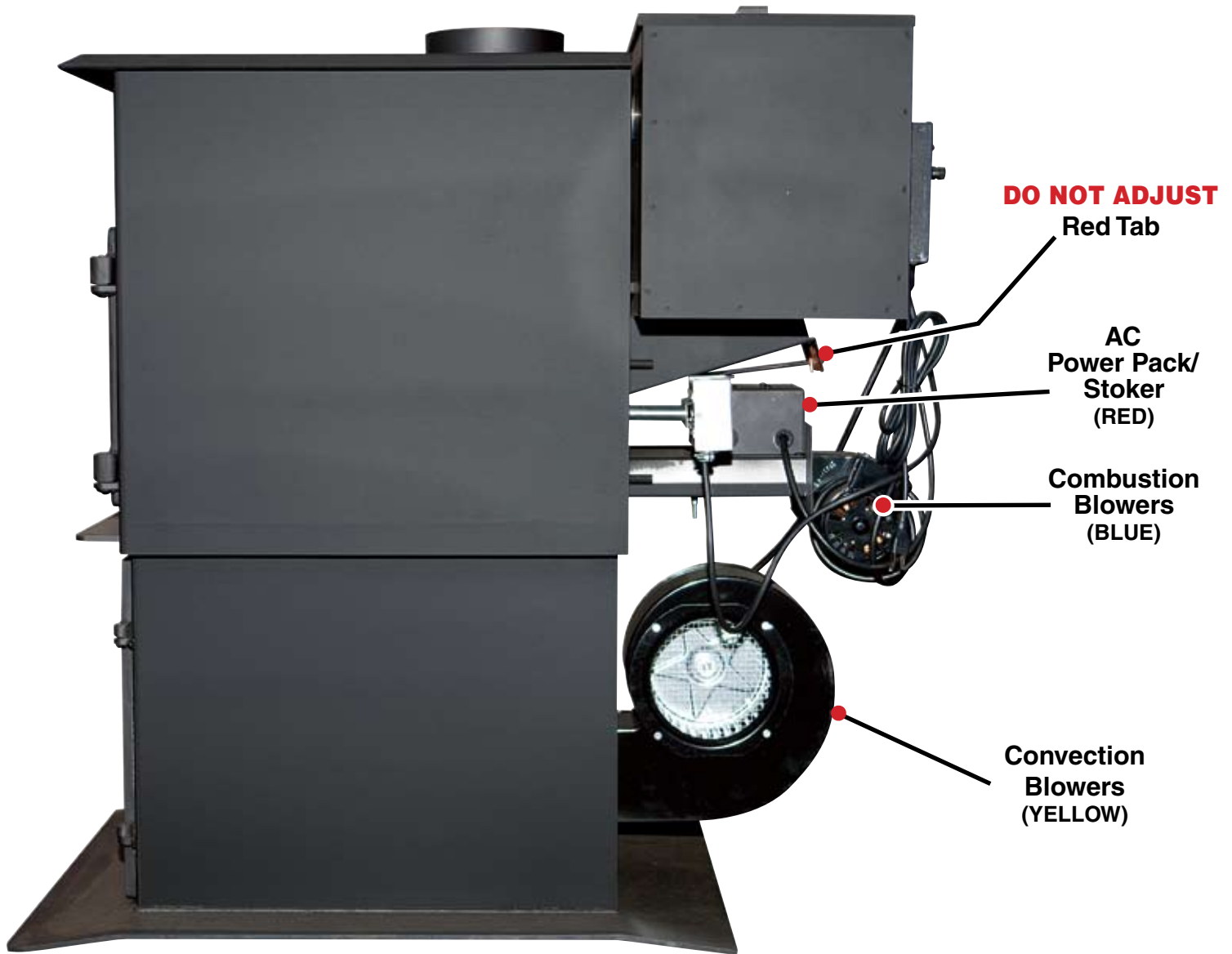
**Left Side**



# Allegheny

RS96-11S

Right Side



Reading Stove Company