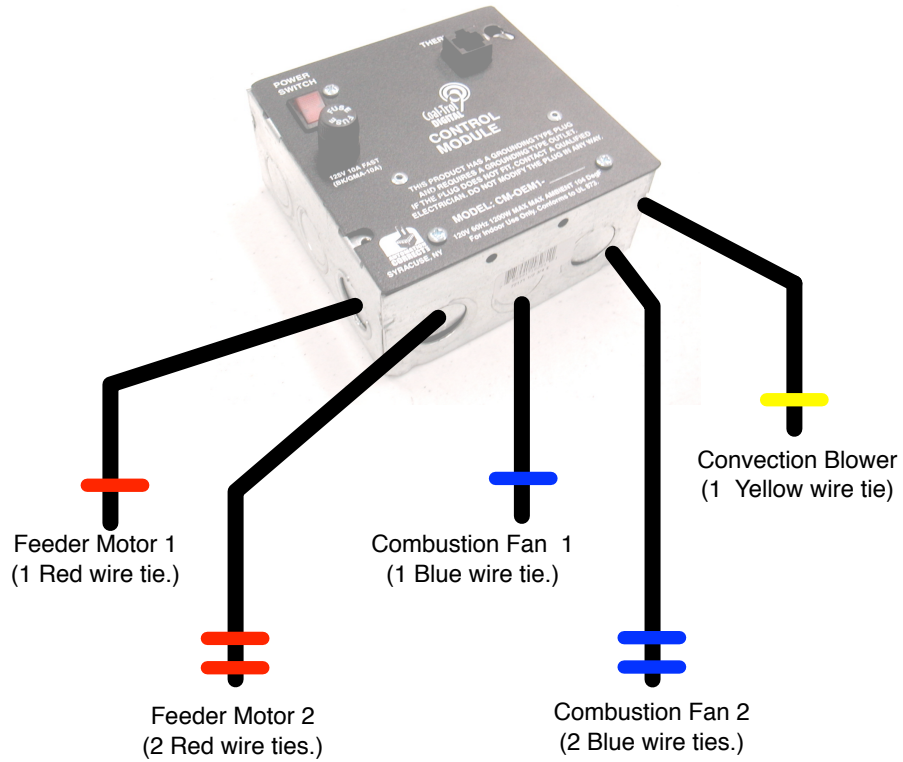
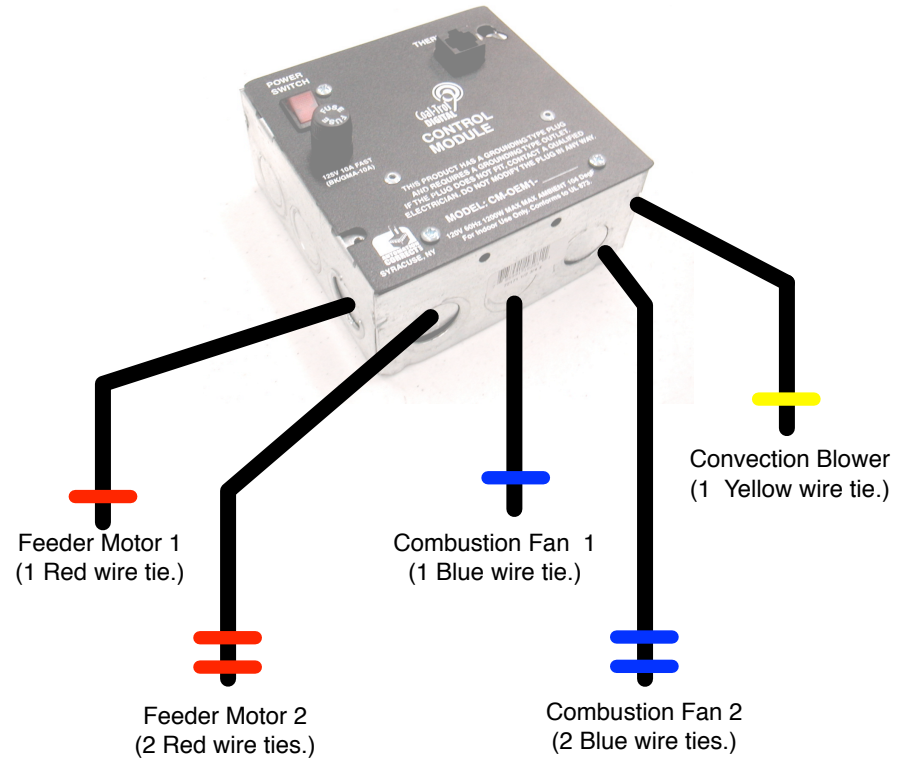


## CM2-OEM-Dual Feeder Control Module Wire Marking for Plug Connected Motors



Automation Correct LLC  
2-2011

## CM2-OEM-Dual Feeder Control Module Wire Marking for Plug Connected Motors



Automation Correct LLC  
2-2011